

# BOSTITCH®

## MODEL H30-8 HAMMER

Staples required: STCR5019 1/4", 5/16", 3/8"

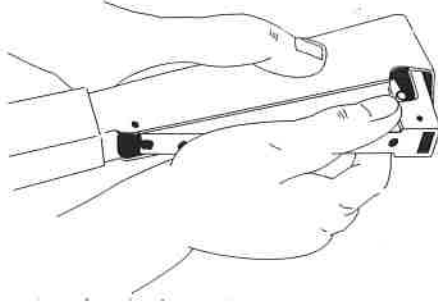
**▲WARNING:**



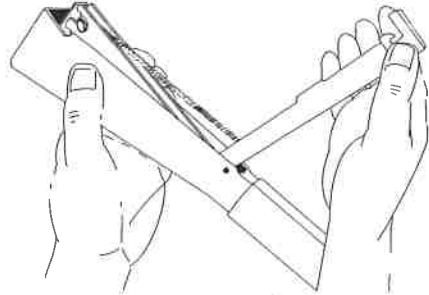
**EYE PROTECTION** which conforms to ANSI specifications and provides protection against flying particles both from the FRONT and SIDE should ALWAYS be worn by the operator and others in the work area when loading, operating or servicing this tool. Eye protection is required to guard against flying fasteners and debris, which could cause severe eye injury.

The employer and/or user must ensure that proper eye protection is worn. Eye protection equipment must conform to the requirements of the American National Standards Institute, ANSI Z87.1 and provide both frontal and side protection. NOTE: Non-side shielded spectacles and face shields alone do not provide adequate protection.

1. Push latch lever button forward to disengage magazine.



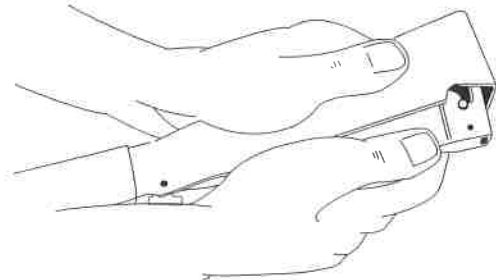
2. Swing magazine open. Pusher will retract as magazine is opened.



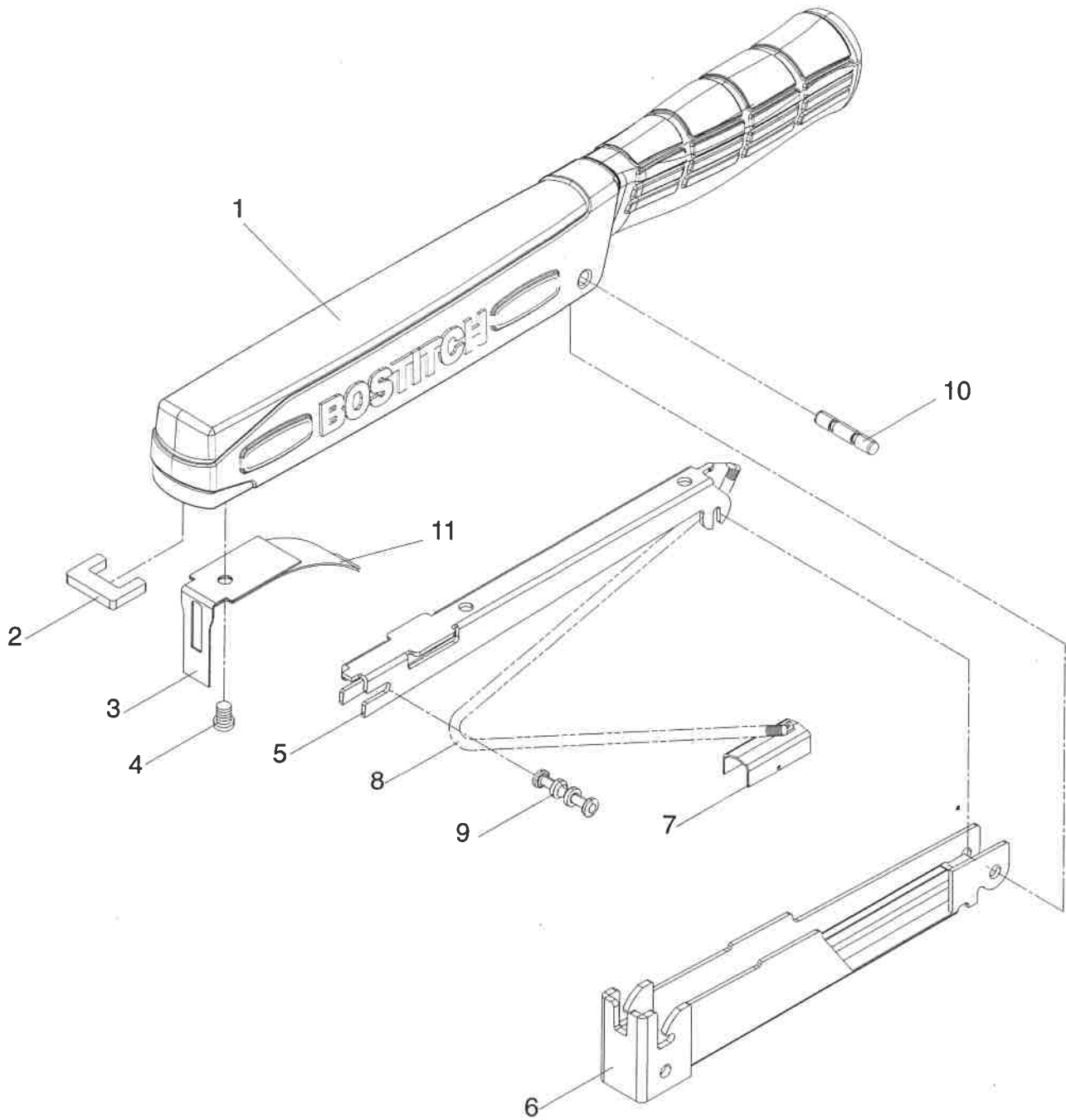
3. Load with one full strip of staples.



4. Close magazine.



**BOSTITCH®**  
STANLEY FASTENING SYSTEMS



ITEM NO.	PART NO.	DESCRIPTION
1	177844	FRAME-GRIP-PAD ASSEMBLY
2	H30603	BUMPER
3	H30619	DRIVER
4	UA3806.22	#10-24 X 3/8 THREAD FORMING PAN HD SCREW
5	H30605	TOP GUIDE
6	101831	MAGAZINE ASSEMBLY
7	177846	PUSHER
8	H30608	PUSHER SPRING
9	H30609	ROLLER
10	H30610	PIVOT PIN
11	H30615	SPRING